



SWT 3.6 HSS UPGRADE

Moventas Service Siemens SWT 3.6 Up-Tower High Speed Shaft Upgrade

moventas

GEARED FOR
NEW ENERGY



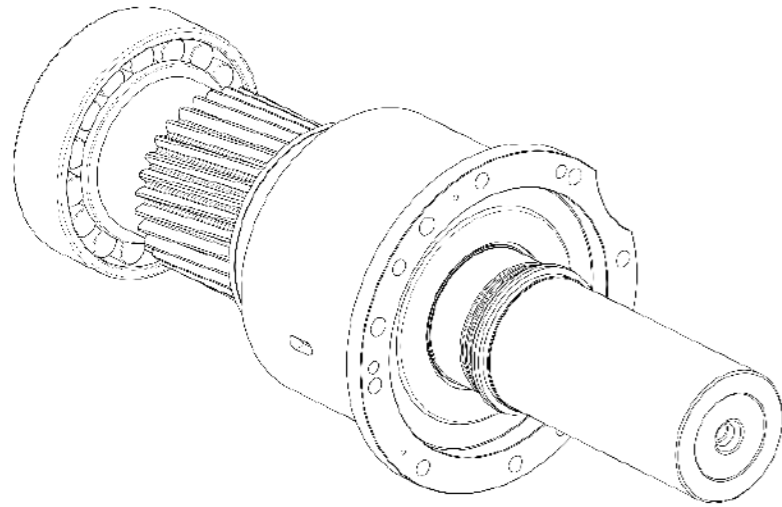
SWT 3.6 - Winergy PZAB 3541 Up-Tower HSS Upgrade

Background

The original High Speed Shaft (HSS) bearing configuration has shown indications of reduced lifetime, potentially leading to an increased risk of unexpected downtime.

Key Benefits

- Extended lifetime and reliable long term operation
- Reduce O&M cost by fast up-tower HSS upgrade and minimize downtime
- Plug & play off-shore exchange



Moventas is the undisputed innovation & technology leader in the wind gearbox industry. As a pioneer in the segment with 40 years of global service experience and an own installed base of over 15,000 gearboxes, we will make the difference in your gearbox service. Benefit of the largest multi-brand service portfolio in the industry, lower your LCoE, and keep your assets running reliably.

Up-Tower - HSS upgrade solution

Moventas HSS upgrade is a smart combination of a reliable bearing configuration exceeding the turbine lifetime, a high quality HSS and all required field service elements for a fast & safe execution.

- Significant increase in bearing lifetime
- 2 day up-tower installation without hot work lowers risk and increases profitability due to less downtime
- HSS with high quality clean steel improves gear root safety and surface safety by eliminating tooth fractures
- Pre-assembled HSS exchange set guarantees safe handling & fast onsite installation
- Tailored transport box allows maximum protection in the rough off-shore environment and easy lifting operation
- Dedicated up-tower working methods, customized tools and special trained service teams

Moventas offers a wide range of service solutions to keep your SWT 3.6 running reliably. Get in touch with us to learn more about planetary stage upgrades and how you can benefit of the digital condition monitoring system CMaS®.

moventas

Moventas is a new energy technology expert and multi-brand service provider. Moventas' technology strives to lower the cost of energy across the lifecycle of renewable energy generation, from superior gearbox design and manufacture to extensive after sales service for most gearbox brands. Moventas is part of the Clyde Blowers.

Read more at

www.moventas.com

Follow us on Twitter, LinkedIn and Facebook



Europe: service@moventas.com
Americas: na.sales@moventas.com



READ MORE
www.moventas.com/services